

Desk Lifting Column

01SJK2

01SJK2 is a 2-part leg with 2 stage telescope tube mainly used for electric height adjustable desks. With fully integrated of motor and spindle, it allows the producers design their own style of outer tube easily and flexibly.



Feature

- Main applications: Furniture
- Input voltage: 24~32V DC
- Max. push load: 1000N
- Typical speed at no load: 33 mm/sec
- Typical speed at full load: 17 mm/sec (1000N load)
- Stroke: 460 mm
- Life cycle: More than 10,000 cycle under full load
- Positioning feedback with dual Hall effect sensors
- IP Protection level: IP20
- Noise level: ≤ 50 dB
- Duty cycle: 10%, max. 1 min. continuous operation in 10 min.
- Certified: CE Marking, EMC Directive 2014/30/EU
UL 962 Standard for Household and Commercial Furnishings.

Option

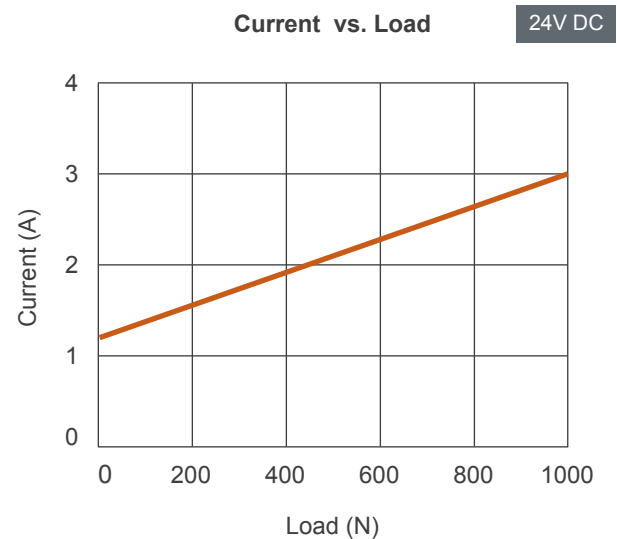
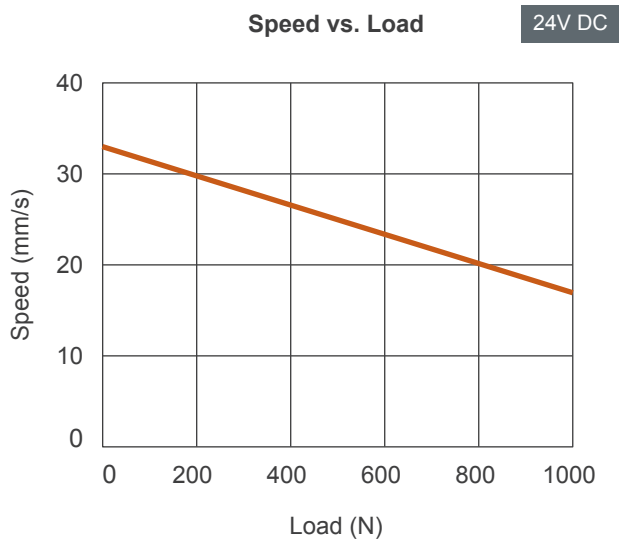
- Power cord length: 1200, 2000 mm

Compatibility

Product	Model	01SJK2 spec
Control box	01SJK2	With Moteck L1-type minifit 6-pin plug

Performance Data

Input	Max. Push load (N)	** Typical Speed (mm/s)		** Typical Current (A)	
		No load	Full load	No load	Full load
24V DC power supply	1000	33	17	1.2	3.0
01SJK3(32V) control box	* 800 / 1000	28	22		



Remarks:

- * When the load is applied at the sides, the max. lifting capability is 800N (Fig. 1)
When the load is applied at the center, the max. lifting capability is 1000N (Fig. 2)

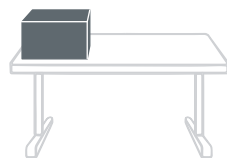


Fig. 1

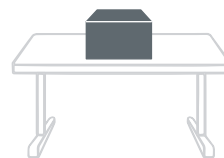
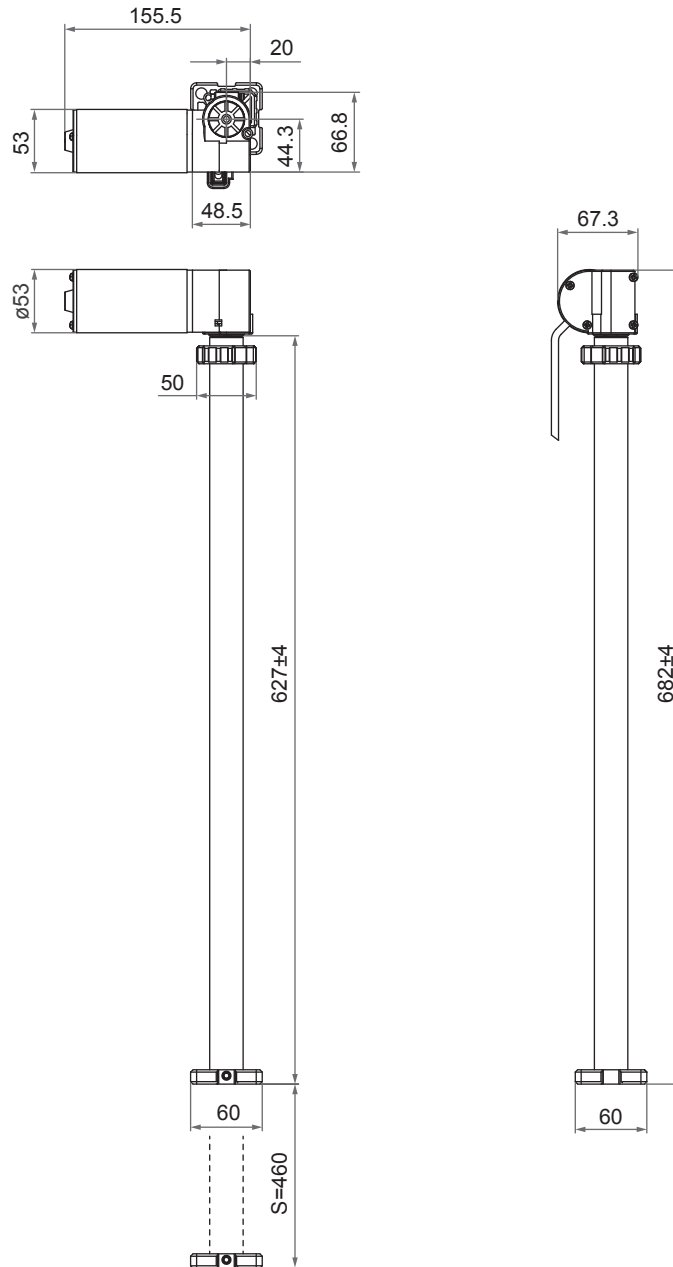


Fig. 2

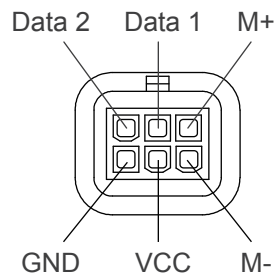
- ** The typical speed or typical current means the average value neither upper limit nor lower limit. The performance curves are made with typical values.

Dimensions



Cable Plug

L1-type minifit 6-pin, 180° plug



Note

1. Connect Pin (M+) to “+” & Pin (M-) to “-” of DC power, the actuator will extend.
2. Hall effect sensor resolution: 1.88 pulses/mm

Ordering Key

	01SJK2-	24	H8	627	1087	0	H	0	1
Input voltage	24: 24V DC								
Motor and Spindle type	H8 (Refer to Performance Data)								
Retracted length	627 (Refer to Dimensions)								
Extended length	1087 (Refer to Dimensions)								
Reserved	0: No meaning								
Positioning feedback	H: Hall effect sensors x 2								
Reserved	0: No meaning								
Power cord length	1: 1200 mm Straight 2: 2000 mm Straight								