

Product Data Sheet

Double Motor 01RQ61

01RQ61-ENA is designed for luxury home adjustable beds. It inherits the excellent performance from 01RQ61 mechanical design, and combined with advanced control functions including RF wireless remote and massage functions. Moreover, synchronization function with a cable connection between 2 units makes it smart to operate both sides of luxury twin beds synchronously, or each of left / right side individually.



Features

Main applications: Furniture, Home care

Standard features:

- Max. load: 2 x 6000N
- Speed at no load: 5mm/sec (Typical value)
- Stroke: 29 ~ 87mm
- Input voltage: 100V AC ~ 240V AC, 60/50Hz
- Output voltage: 29V DC
- Power supply: Internal SMPS, 29V/2A (58W)
- Built-in RF 2.4GHz receiver
- Position memory function with Hall effect sensors
- Electric shock protection level: Class II
- AC Power cord length: 3000mm
- Noise level: ≤ 55 dB
- IP level: IP43
- Color: Black
- Duty cycle: 10%, max. 2 min. continuous operation in 20 min.
- Backup battery function
- Operating ambient temperature: -20°C ~ +65°C

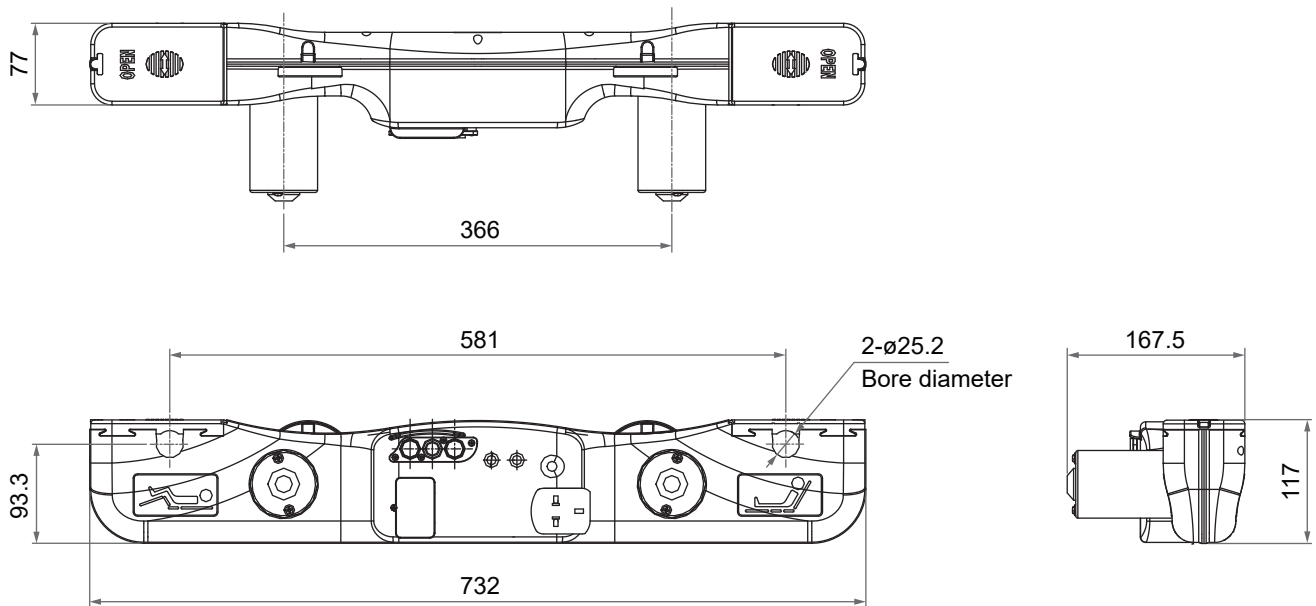
01RZN RF wireless remote (must order separately)

- Frequency: 2.4GHz
- Operating distance: 7m
- Numbers of keys: 17
- Button material: Silicone rubber
- Button back light: Blue
- LED torch: White
- Battery: Alkaline AAA x 3

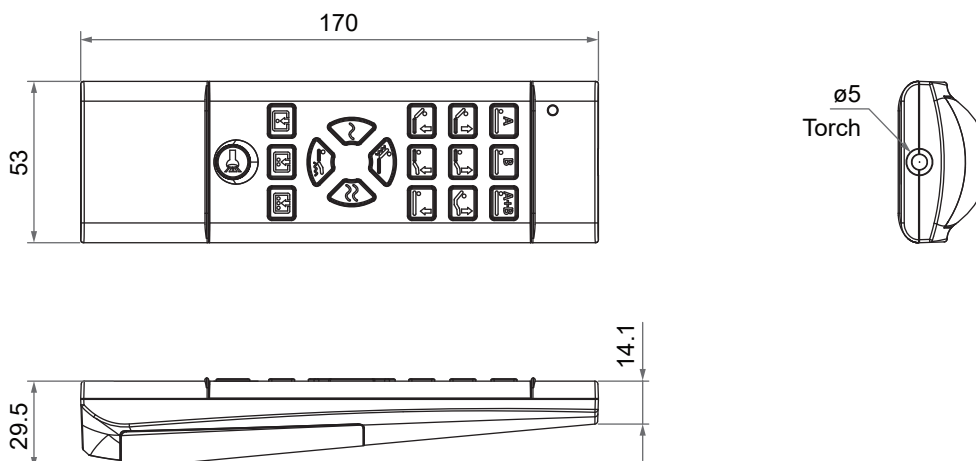


Dimensions

01RQ61-ENA Double motor



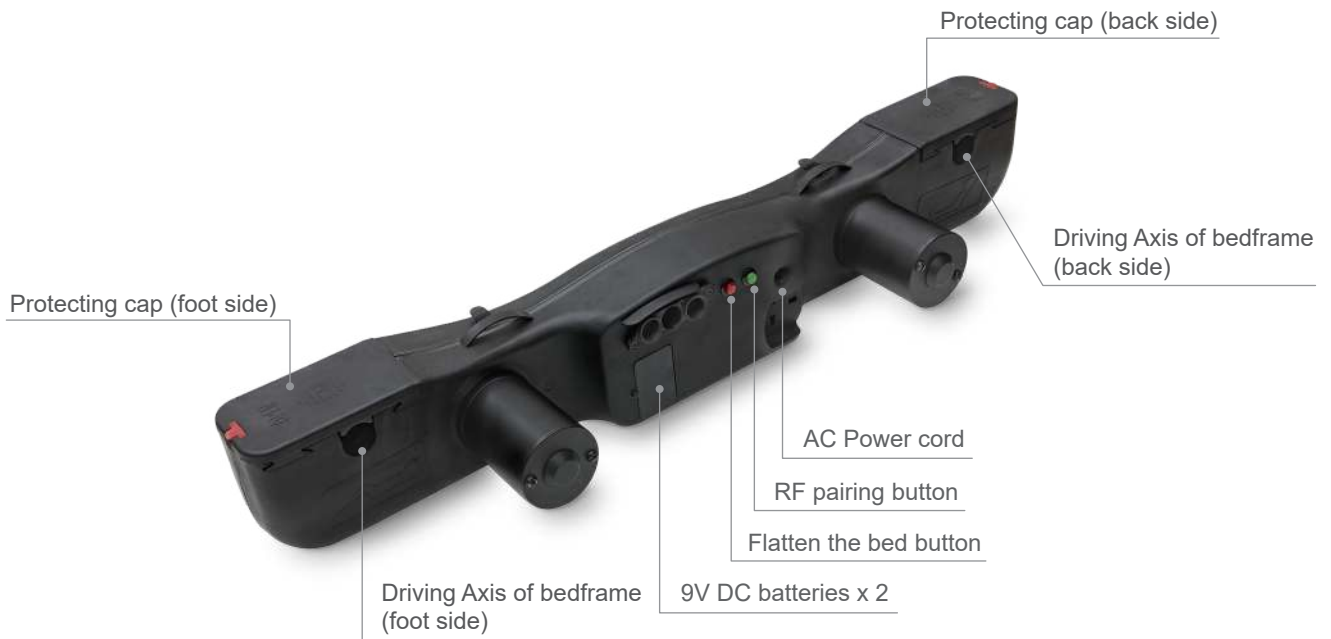
01RZN RF Wireless remote



Unit: mm

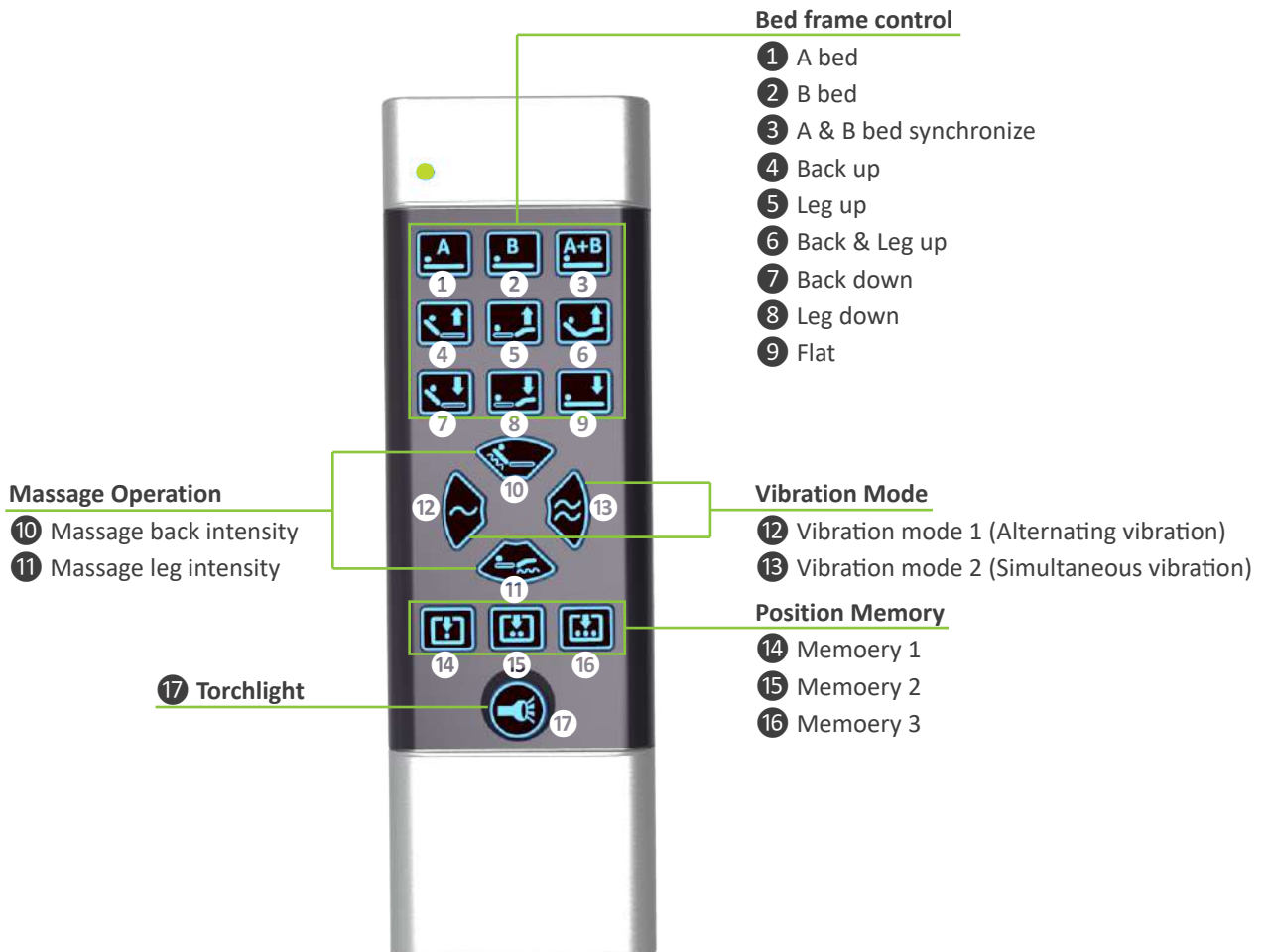
I/O Introduction

01RQ61-ENA Double motor



01RZN RF Wireless

remote Button definitions:



Compatibility

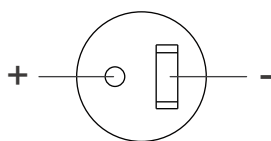
Product	Model	Compatible requirement
Wireless control	01RZN	N/A
Accessory	Massage motor: 01CN01, 01CN02	With A2-type DIN plug

Connection diagram:

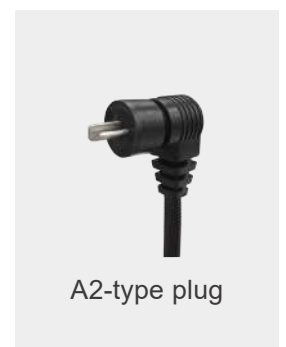


Socket

Massage motor socket (for A2-type)



DIN 41529 socket



A2-type plug

Ordering Key

01RQ61-ENA- 87 . 69 - 0 0 3 2 0

Stroke for back	29 ~ 87mm
Stroke for leg	29 ~ 87mm
Reserved	0
Reserved	0
Cable length	3: Straight 3000mm
Bore diameter	2: 25.2mm (standard) 6: 25.6mm
Battery	0: None 1: With 9V DC battery x 2