

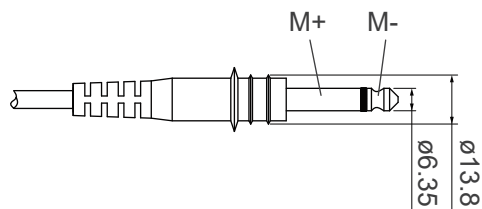
Compatibility

Product	Model	MD80M spec
Actuator	01NS80, 01NS82, 01NS60, 01KS60	- Without positioning feedback sensors - With J1-type Ø6.35 Phone jack
Control	HF, H3F, HT, H3T, FS1, FS2, HS12	- P1 control category - With H-type 5-pin or 8-pin DIN plug

Socket

- **Actuator socket**

- J1-type



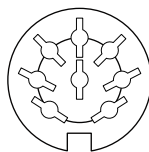
J1-type

Remarks:

Connect (M+) to '+' & (M-) to '-' of DC power, the actuator will extend.

- **Control socket**

- H-type DIN plug



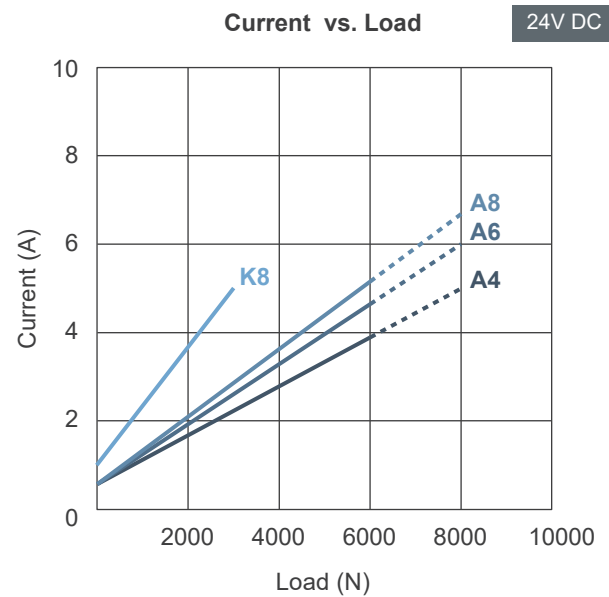
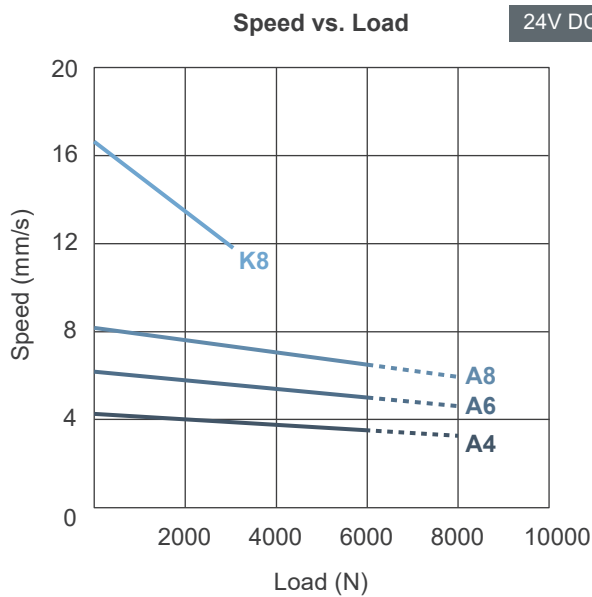
8-pin socket



H-type

Performance Data

Model No.	Push Max. (N)	Pull Max. (N)	Typical speed (mm/s)		Typical current (A)	
			No load	Full load	No load	Full load
01NS80M-XXA4-XXX.XXX	8000	6000	4.2	3.3	0.6	5.0
01NS80M-XXA6-XXX.XXX	8000	6000	6.2	4.6	0.6	6.0
01NS80M-XXA8-XXX.XXX	8000	6000	8.1	5.9	0.6	6.7
01NS80M-XXK8-XXX.XXX	3000	3000	16.6	11.8	1.0	5.0



Push / Pull Load — Push Load - - -

Remarks:

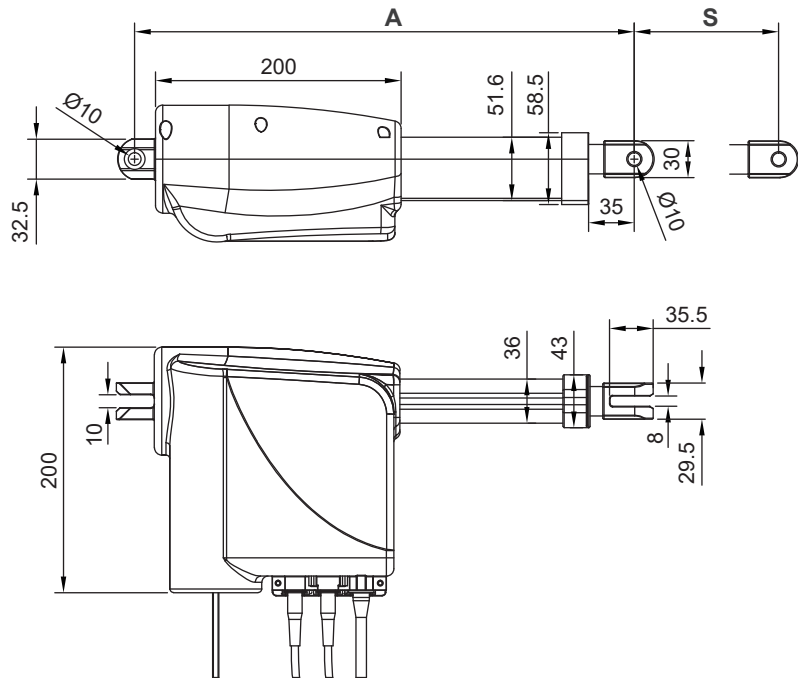
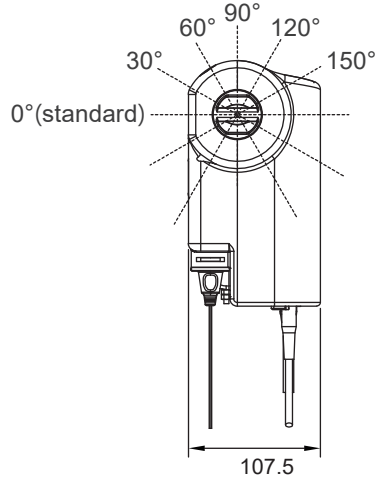
- * The typical speed or typical current means the average value neither upper limit nor lower limit. The performance curves are made with typical values.

Dimensions

Stroke(S)	50 ≤ S ≤ 300mm		
Retracted length (A)	Front connector		
	Safety option	7	8
	No safety option	$A \geq S+180\text{mm}$	$A \geq S+210\text{mm}$
	With Safety Nut (SN)	$A \geq S+185\text{mm}$	$A \geq S+215\text{mm}$

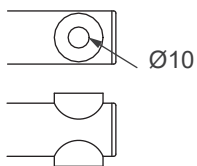
• $301 \leq S \leq 400\text{mm}$, retracted length (A) + 30mm • Tolerance: ±3mm
 • $S \geq 41\text{mm}$, Please consult sales representative for feasibility and the available retracted length.

Pivot orientation of Rear connector

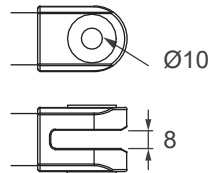


• Front Connector

7: Plastic bushing

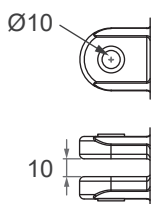


8: Zinc alloy clevis with plastic bushing



• Rear Connector

1: Zinc alloy clevis



Ordering Key

01NS80M - 2 2 A6 - 420 - 620 - 8 1 - A 0 G 4 1

Input voltage	2: 230V AC 1: 120V AC
Additional actuator port	0: None 1: 1 port 2: 2 ports
Motor and Spindle type	A4: 2500 rpm / 4mm pitch A6: 2500 rpm / 6mm pitch A8: 2500 rpm / 8mm pitch K8: 2500 rpm / 8mm pitch (Refer to Performance Data)
Retracted length	XXX (Refer to Dimensions)
Extended length	XXX (Refer to Dimensions)
Front connector type	8: Zinc alloy clevis with plastic bushing (standard) 7: Plastic bushing (Refer to Dimensions)
Pivot orientation of Rear connector	Zinc alloy clevis with following orientation options 1: 0° (standard) 3: 30° 6: 60° 9: 90° C: 120° F: 150°
Option	0: None P: Push only S: Safety nut A: Push only + Safety nut
Reserved	0: No meaning
Color	G: Light gray RAL 7035
IP Protection level (static, non-action)	4: IPX4 5: IPX5
Power cord length	3: 3000mm straight (standard) 4: 4000mm straight