

Product Data Sheet

Actuator 01DS10

01DS10 is a small and quiet actuator. It allows small fitting dimensions, which makes 01DS10 an ideal solution for recliner and bed as neck actuator. It is able to connect with hand control and power supply to make up a simple system without control box.



Features and Options

Main applications: Furniture

Standard features:

- Input voltage: 24V DC
- Max. load: 1000N (Push) / 500N (Pull)
- Typical speed at no load: 15.1 mm/sec
- Stroke: 50 ~ 300 mm
- Noise level: ≤ 50 dB
- IP Protection level: IP42 (static, non-action)
- Color: Black
- Preset limit switches
- Duty cycle: 10%, max. 2 min. continuous operation in 18 min.
- Operating ambient temperature: $-20^{\circ}\text{C} \sim +65^{\circ}\text{C}$
- Storage ambient temperature: $-25^{\circ}\text{C} \sim +65^{\circ}\text{C}$

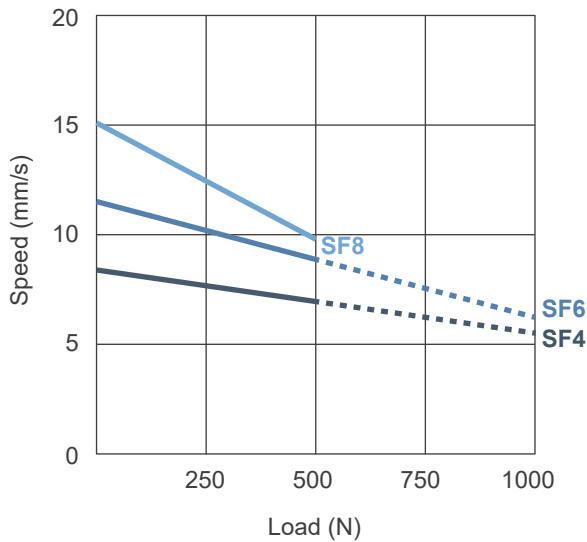
Options:

- Positioning signal feedback with Hall effect sensor x 2
- Mechanical push only extension tube
- PTC thermistor for thermal protection

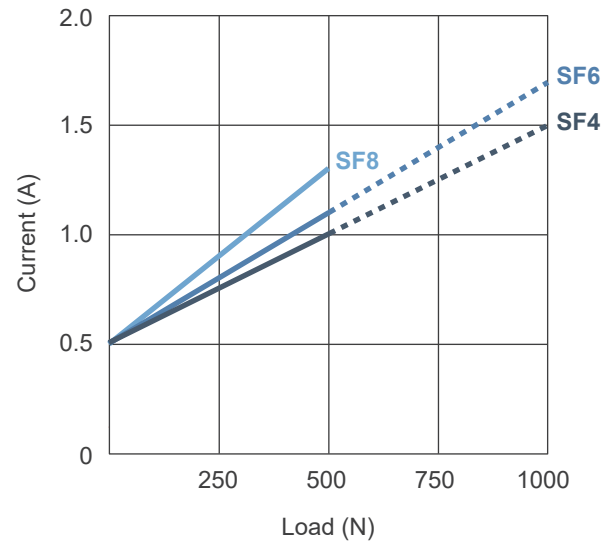
Performance Data

Model	Push Max. (N)	Pull Max. (N)	*Typical Speed (mm/s)		*Typical Current (A) @ 24V	
			No load	Full load	No load	Full load
01DS10-24SF4-XXX.XXX-XXXXX0X	1000	500	8.4	5.5	0.5	1.5
01DS10-24SF6-XXX.XXX-XXXXX0X	1000	500	11.5	6.2	0.5	1.7
01DS10-24SF8-XXX.XXX-XXXXX0X	500	500	15.1	9.8	0.5	1.3

Speed vs. Load



Current vs. Load



— Push / Pull Load

- - - - Push Load

Remarks:

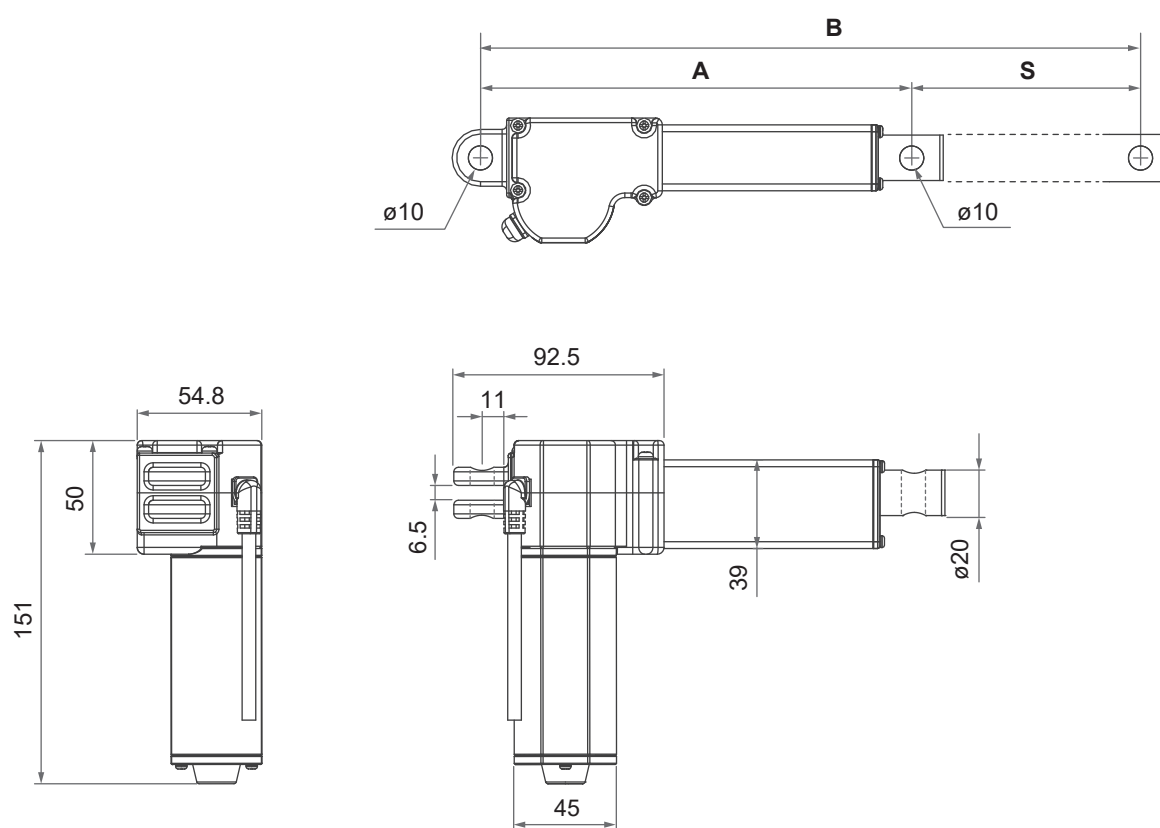
- * The typical speed or typical current means the average value neither upper limit nor lower limit. The performance curves are made with typical values.

Dimensions

Front connector code	Stroke (S)		
	$\leq 200\text{mm}$	201~250mm	251~300mm
2	$A \geq S+120\text{mm} (\pm 3\text{mm})$	$A \geq S+130\text{mm} (\pm 3\text{mm})$	$A \geq S+140\text{mm} (\pm 3\text{mm})$
3, 6	$A \geq S+135\text{mm} (\pm 3\text{mm})$	$A \geq S+145\text{mm} (\pm 3\text{mm})$	$A \geq S+155\text{mm} (\pm 3\text{mm})$

Available stroke (S) range = 50 ~ 300mm

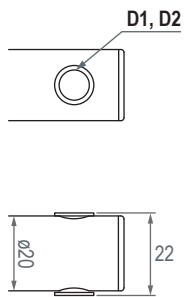
Extended length (B) = S + A; Retracted length (A)



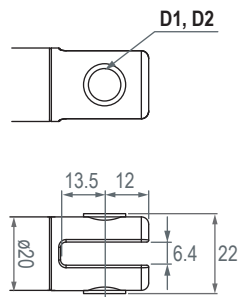
Remarks: As an example in 0° orientation for rear connector.

● Front connector

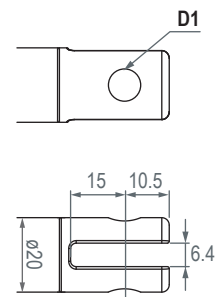
2: Drilled hole



3: Metal slot

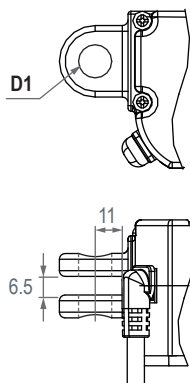


6: Plastic slot



● Pivot orientation of rear connector

4: Plastic, 0°



Front connector code	Diameter of pivot without bushing (D1)	Diameter of pivot with bushing (D2)
2	ø8, ø10	ø8
3	ø8, ø10	ø8
6	ø8, ø10	N/A
Rear connector code	Diameter of pivot without bushing (D1)	Diameter of pivot with bushing (D2)
4	ø10	N/A

Compatibility



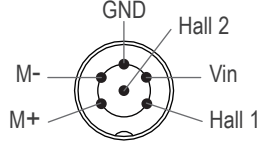

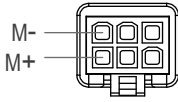
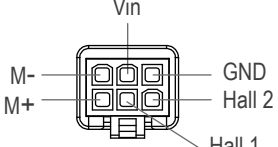
Product	Model	01DS10 spec
Control box	T-control, 01XA1, 01XA2, 01XV3R, 01XV4N, 01XVR2	- Without positioning feedback - With F-type 4-pin DIN plug
	01XD11G, 01XD12G	- Without positioning feedback - With L3-type minifit 6-pin plug
	01XV3R-SY, 01XV4N-S, 01XV4N-B	- With dual Hall effect sensors for positioning - With F-type 6-pin DIN plug
	01XD11A, 01XD12A	- With dual Hall effect sensors for positioning - With L3-type minifit 6-pin plug
	01RZ2L	- With direct-cut power cable DL1
Hand control	Depend on control box	- Powered by control box
	01GV, 01ROKA, 01G2F, 01GM02, 01GM03, 01GM04, 01GM05, 01GM06	- With direct-cut power cable DL1*
Accessory	Power adapter: DPA-58-2920-C8 (formerly TSW1), DPA-87-2930-C6 (formerly TSW3), DPA-87-2930-C8 (formerly TSW9)	- With direct-cut power cable DL1

Remarks:

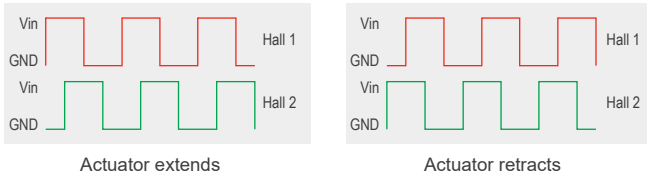
* The actuator is connected to the hand control through the DL1 cable directly, no control box.

Cable Plug

A. Connecting control devices that provide power

	Without positioning feedback	Positioning feedback with dual Hall effect sensors
 F-type DIN male plug	 4p2c	 6p6c
 L3-type Minifit male plug	 6p2c	 6p6c

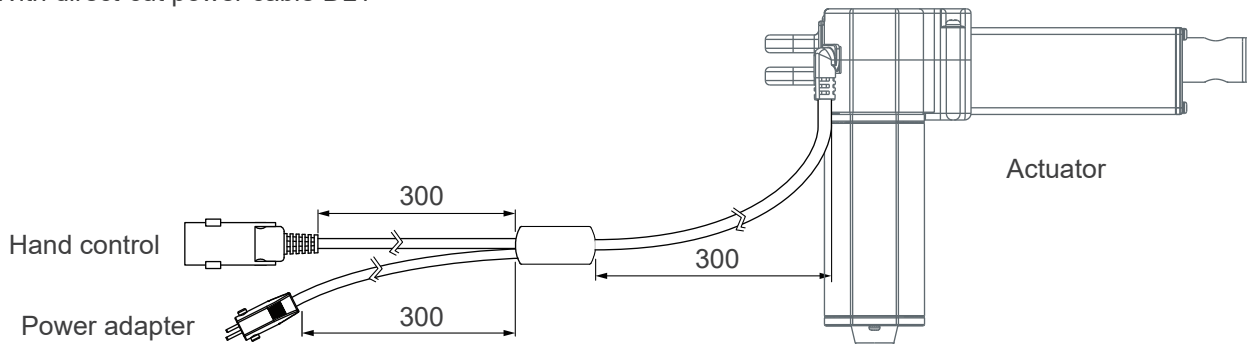
Note: Pin definition

	Definition	Descriptions								
Power	M+	Connect M+ to "Vdc +" & M- to "Vdc -" of DC power to extend the actuator.								
	M-	Switch the polarity of DC input to retract it.								
Signal	Vin	Voltage input range: 5 ~ 20V								
	Hall 1 output	High= Input - 1.2V ($\pm 0.6V$) Low= GND Hall signal data: 								
	Hall 2 output	Hall effect sensor resolution: <table border="1" data-bbox="502 1668 1220 1848"> <thead> <tr> <th>Model</th> <th>Resolution (pulses/mm)</th> </tr> </thead> <tbody> <tr> <td>01DS10-24SF4-XXX.XXX-XXXHX0X</td> <td>7.00</td> </tr> <tr> <td>01DS10-24SF6-XXX.XXX-XXXHX0X</td> <td>4.66</td> </tr> <tr> <td>01DS10-24SF8-XXX.XXX-XXXHX0X</td> <td>3.50</td> </tr> </tbody> </table>	Model	Resolution (pulses/mm)	01DS10-24SF4-XXX.XXX-XXXHX0X	7.00	01DS10-24SF6-XXX.XXX-XXXHX0X	4.66	01DS10-24SF8-XXX.XXX-XXXHX0X	3.50
	Model	Resolution (pulses/mm)								
01DS10-24SF4-XXX.XXX-XXXHX0X	7.00									
01DS10-24SF6-XXX.XXX-XXXHX0X	4.66									
01DS10-24SF8-XXX.XXX-XXXHX0X	3.50									
GND										

B. Connecting control devices that DO NOT provide power

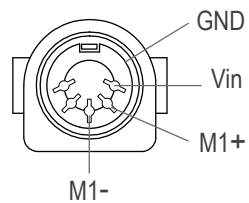
1. Cable solution

- With direct-cut power cable DL1



2. Hand control connector: U-type DIN 5-pin female connector

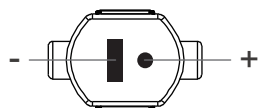
- 1 drive



U-type female connector

Note: Connect M1+ to "Vdc +" & M1- to "Vdc -" of DC power to extend the M1 actuator. Switch the polarity of DC input to retract it.

3. Power connector: S-type DIN 41529 2-pin male plug



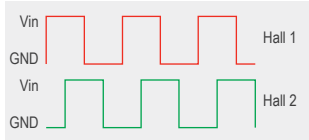
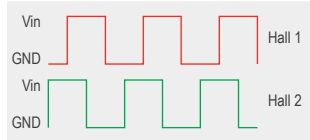
S-type male plug

Wiring with Flying Leads

- Without positioning feedback

	Wire color	Definition	Comments
Power wires	White	DC power	Connect white wire to "Vdc +" & black wire to "Vdc -" of DC power to extend the actuator. Switch the polarity of DC input to retract it.
	Black		

- With dual Hall effect sensors for positioning

	Wire color	Definition	Comments								
Power wires	Blue	DC power	Connect blue wire to "Vdc +" & Brown wire to "Vdc -" of DC power to extend the actuator. Switch the polarity of DC input to retract it.								
	Brown										
Signal wires	Yellow	Vin	Voltage input range: 5 ~ 20V								
	Red	Hall 1 output	High= Input - 1.2V (±0.6V) Low= GND Hall signal data: <div style="display: flex; justify-content: space-around; align-items: flex-start;"> <div style="text-align: center;">  <p>Actuator extends</p> </div> <div style="text-align: center;">  <p>Actuator retracts</p> </div> </div>								
	Green	Hall 2 output	Hall effect sensor resolution: <table border="1" style="width: 100%; margin-top: 10px;"> <thead> <tr> <th>Model No.</th> <th>Resolution (pulses/mm)</th> </tr> </thead> <tbody> <tr> <td>01DS10-24SF4-XXX.XXX-XXXHX0X</td> <td>7.00</td> </tr> <tr> <td>01DS10-24SF6-XXX.XXX-XXXHX0X</td> <td>4.66</td> </tr> <tr> <td>01DS10-24SF8-XXX.XXX-XXXHX0X</td> <td>3.50</td> </tr> </tbody> </table>	Model No.	Resolution (pulses/mm)	01DS10-24SF4-XXX.XXX-XXXHX0X	7.00	01DS10-24SF6-XXX.XXX-XXXHX0X	4.66	01DS10-24SF8-XXX.XXX-XXXHX0X	3.50
	Model No.	Resolution (pulses/mm)									
	01DS10-24SF4-XXX.XXX-XXXHX0X	7.00									
01DS10-24SF6-XXX.XXX-XXXHX0X	4.66										
01DS10-24SF8-XXX.XXX-XXXHX0X	3.50										
Black	GND										

Ordering Key

	01DS10 - 24 S F8 - 160 . 210 - 6 4 0 H 1 0 A
Input voltage	24: 24V DC
Motor power	S: Short motor
Motor and spindle type	F4: 3500rpm / 4mm pitch F6: 3500rpm / 6mm pitch F8: 3500rpm / 8mm pitch (Refer to page 2)
Retracted length	XXX (Refer to page 3)
Extended length	XXX (Refer to page 3)
Front connector	2: Drilled hole 3: Metal 6: Plastic (Refer to page 4)
Rear connector	4: Plastic (Refer to page 4)
Pivot orientation of rear connector	0: 0° (Refer to page 4)
Positioning feedback	0: None H: Hall effect sensor x 2
Option	0: None 1: Push only extension tube 2: PTC thermal protection 3: Push only + PTC thermal protection
Reserved	0: No meaning
Cable	0: 300 mm straight 1: 1000 mm straight 2: 450 mm with 300 mm coiled A: Direct-Cut cable DL1, without control box (Refer to page 7)