

# MODEL 17SH810



## Specification

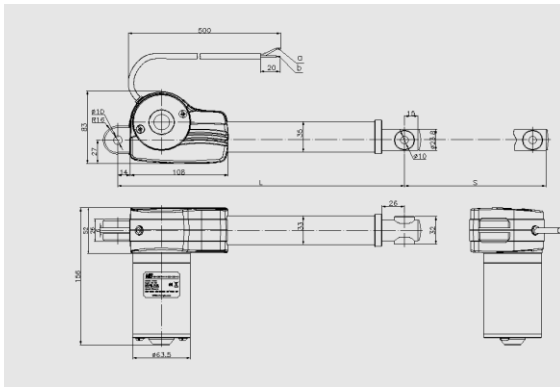
Model		17SH810
Input Voltage	(V DC)	12 or 24
Stroke Length	(mm)	50 to 600
Load Capacity	(N)	Max 4,000
Travel Speed	(mm/s)	5 to 32
Limit Switch		Integrated
Duty Cycle		10% (2 min continuous moving)
IP Rating		IP43
Operating Temp.	(°C)	5 to 40
Cable Length	(mm)	500
Signal Feedback		Hall Sensor (optional)

## 1. Load/ Stroke/ Speed

Code	Dynamic Load (N)	Gear Ratio	Speed (mm/s) ±10%		Current (amp)				Max Stroke (mm)
			Free Load	Full Load	12v		24v		
					Free Load	Full Load	Free Load	Full Load	
A	4,000	35:1	5	4	2.0	8.0	1.2	3.5	250
B	3,000	35:1	7	5.2	2.0	8.0	1.2	3.5	350
C	2,500	35:1	10	8.1	2.0	8.0	1.2	3.5	450
D	2,000	35:2	13	10.4	2.0	8.0	1.2	3.5	600
E	1,500	35:1	16	11	2.0	8.0	1.5	3.5	600
F	1,000	35:2	20	15	2.0	8.0	1.5	3.5	600
G	800	35:2	32	23.5	2.0	8.0	1.5	3.5	600

\* The above data are typically made with a stable power supply and an ambient temperature.

## 2. Overall Dimension



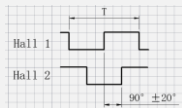
S (mm)	L (mm)	Formula
50	200	L= S+ 150 mm
100	250	
150	300	
200	350	
250	400	
300	450	
350	500	L= S+ 175 mm
400	550	
450	600	
500	675	
550	725	
600	775	

L: Min Mounting Length  
S: Stroke Length

## Optional Parts

### 1 Hall Sensor Feedback

Code	Resolution (pulse/mm)	Remark
A	8.75	a. 4 pairs of poles
B	7.00	b. Two pulse waves with 90° ± 20° difference.
C	4.67	
D	3.50	
E	2.92	
F	2.33	
G	1.46	



### Ordering Key :

Mode	17SH810	-	Stroke	-	Voltage	-	Code	-	Sensor
Ex.	17SH810	-	100	-	24	-	A	-	H*

### EX. Specification

1. max. Dynamic Load 4,000N
2. Speed 5.0 mm/s (Free load)/ 4.0mm/s (Full load)
3. Hall Sensor Feedback \*Blank- No option