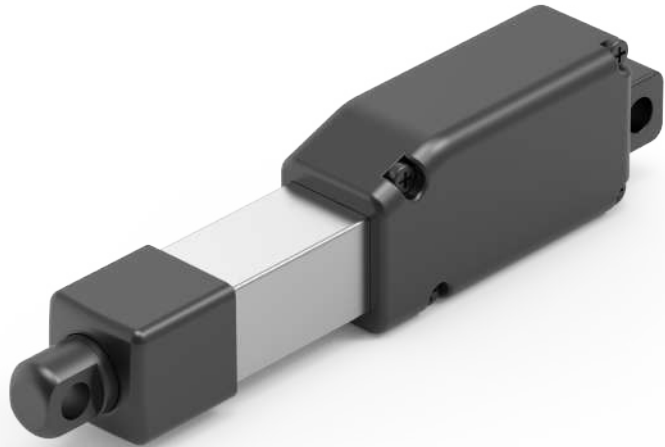


## Product Data Sheet

---

# Actuator 01NJA1

01NJA1 is an in-line linear actuator characterized by its miniature size and waterproof. There are four stroke options and different speed options, with a maximum force (push/pull) of 80N, suitable for a variety of application conditions.



## Features

---

**Main applications:** Industry, Furniture, DIY application

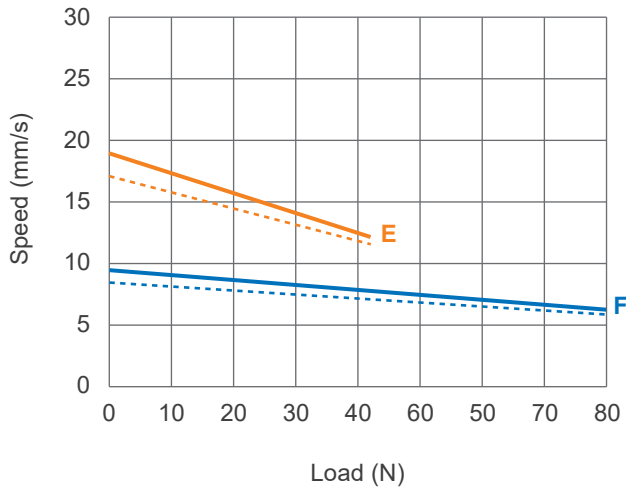
**Standard features:**

- Input voltage: 12V DC
- Max. load: 80N (Push/Pull)
- Max. static load: 40N
- Max. speed at no load: 19.0mm/sec (Typical value)
- Speed at max load: 6.3mm/sec (Typical value @80N Loaded)
- Stroke: 10 / 30 / 50 / 100 mm
- Noise level:  $\leq 55$ dB
- IP level: IP66/IP69K (Static; non-action)
- Preset power switches for stroke end limits
- Material: Aluminum extension and inner tube, plastic case.
- Duty cycle: 20%
- Operating ambient temperature:  $-10^{\circ}\text{C} \sim +50^{\circ}\text{C}$

## Performance Data

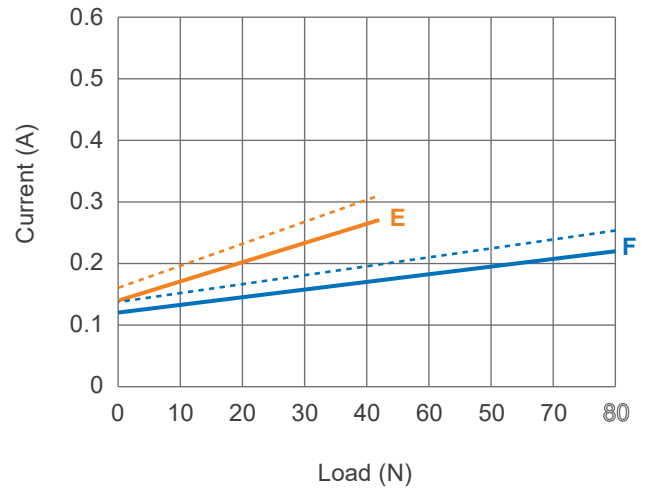
Model No.	Push / Pull Max. load (N)	Self-locking ability (N)	Typical speed (mm/s)		Typical current (A) @12V DC	
			No load	Full load	No load	Full load
01NJA1-L-12-E-XXX-0XX	42	21	19.0	12.2	0.14	0.27
01NJA1-L-12-F-XXX-0XX	80	40	9.5	6.3	0.12	0.22

Speed VS. Load



— Typical speed    - - - Min. speed

Current VS. Load



— Typical current    - - - Max. current

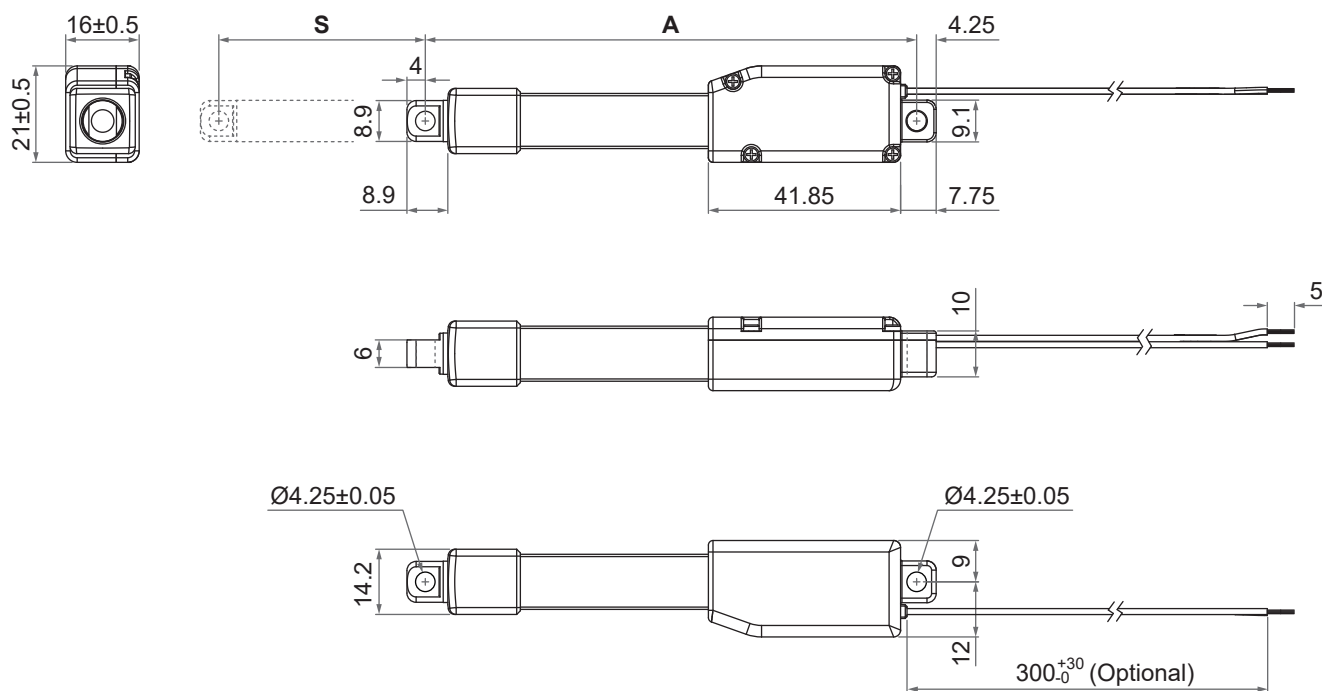
## Dimensions

- **Installation dimension:** Minimum retracted length(A) of various options;  
Extended length = Retracted length(A) + Stroke(S)

Stroke (S)	10	30	50	100
Minimum retracted length (A)	67	87	107	157

(Tolerance: ±1mm)

- **Drawing**



Unit: mm

## Wiring with Flying Leads

	Wire color	Definition	Descriptions
Power wires	Red	DC power	Connect red wire to "Vdc +" & black wire to "Vdc -" of DC power to extend the actuator. Switch the polarity of DC input to retract it.
	Black		

## Ordering Key

01NJA1- L - 12 - E - 030 - 0 0 3

<b>Version</b>	L: Preset power switches for stroke end limits
<b>Input voltage</b>	12: 12V DC
<b>Performance</b>	E, F (Refer to p.2 Performance Data)
<b>Stroke</b>	010: 10mm 030: 30mm 050: 50mm 100: 100mm
<b>Reserved</b>	0
<b>Reserved</b>	0
<b>Cable length</b>	0: 300mm straight 3: 900mm straight