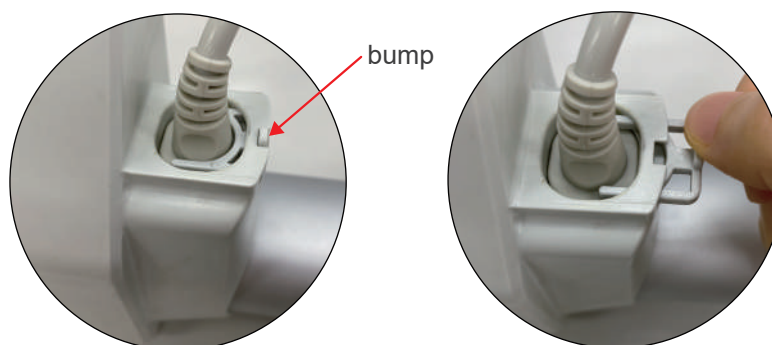


Install/Remove Cable Plug

• Remove

- Push the bump of the anti-pull clip outward to remove it

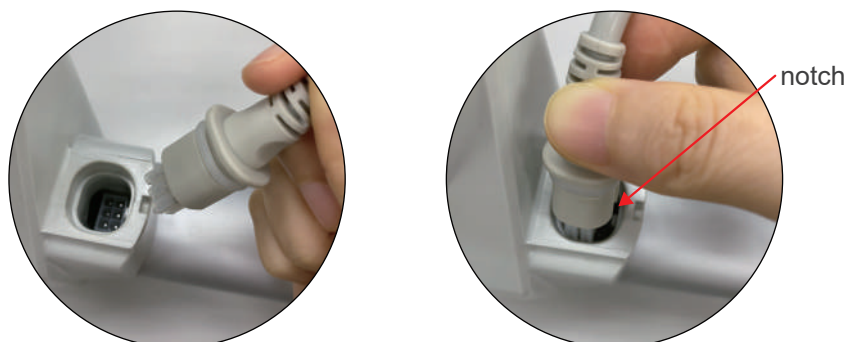


- Hold the motor and remove the cable plug



• Install

- Align the notch of the socket and insert the plug



- Put the anti-pull clip back to lock the plug

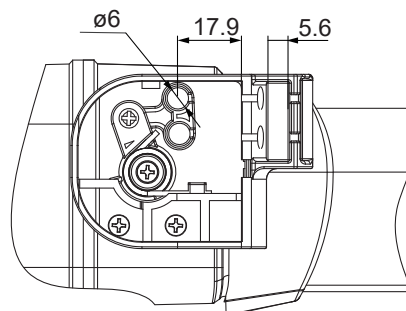
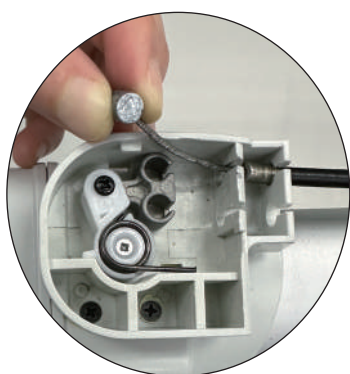


Mounting of the quick release cable

1. Make sure the actuator is unloaded and the stroke is fully retracted.
2. Open the lid of quick release device.



3. Feed the cable through the slot of the mounting hole, and place the cylindrical cable end into the cable fixture. Then, adjust the cable jacket so that it stays in the mounting hole. Repeat the process if using two release cables.



(Not included with the purchase of the actuator.)

4. Close the lid and test that the cable stretches properly to complete the installation.



5. When operating the quick release mechanism, make sure that the cable stretches smoothly to the end and does not get stuck halfway.